

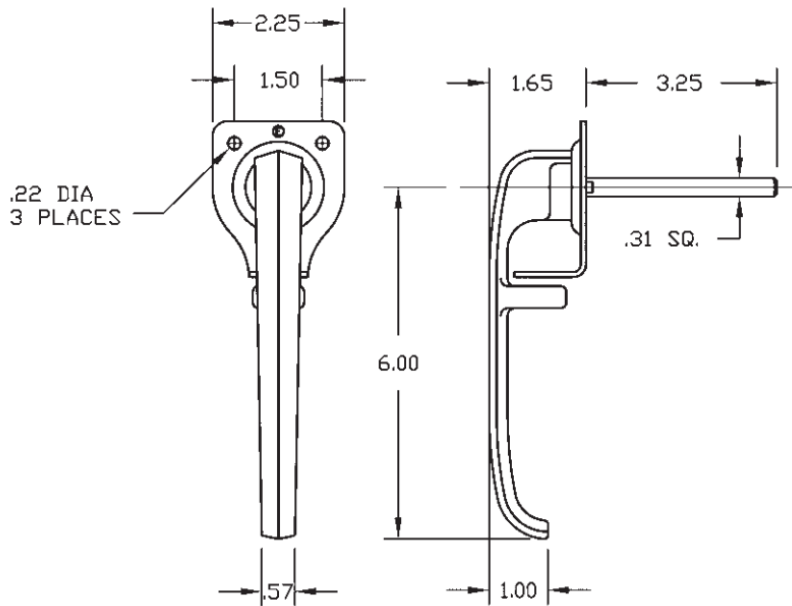
## 5655 Padlockable T-Handle

### Features

- Attractive series provides the user with the ability to padlock the handles for security
- Designed to be used with most multipoint latches which use a 5/16" square drive mechanism
- Ideal for tough corrosive environments
- Easy to install

### Material

- Steel, zinc plated or stainless steel, polished



Part No.	Material
5655-X	Steel, zinc plated
A5655-SSX	Stainless steel 300

Dimensions in inches